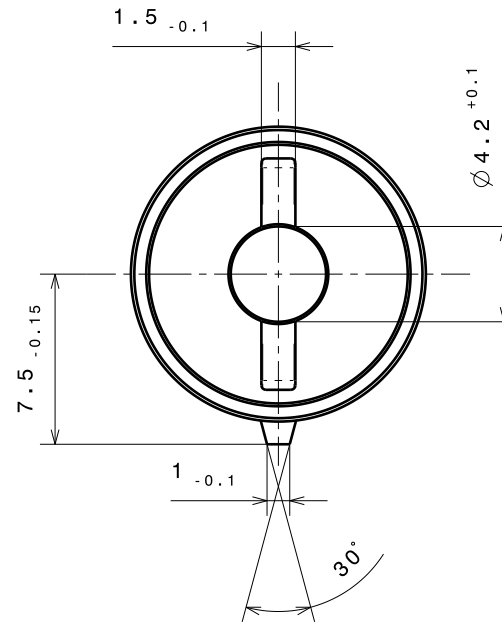
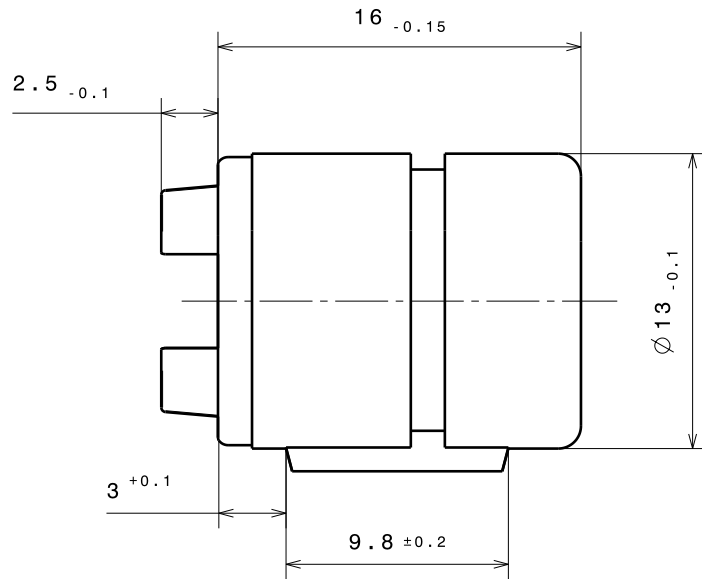


TECHNICAL DATA FOR REFERENCE ONLY!!



Torque at 23°C and 20 rpm.

$8.0 \pm 1.2$  Ncm

16 mm HINGE DAMPER  
 2.5 mm RIB

**30528**

**PART NO. 30528-9-0X-00x**