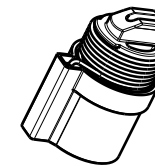
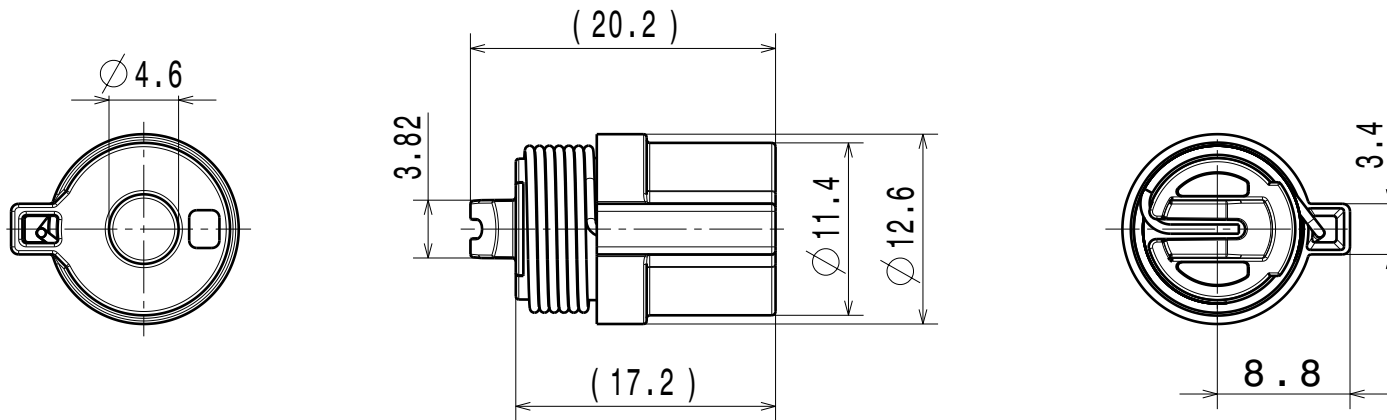


TECHNICAL DATA FOR REFERENCE ONLY!!



Torque at 23°C and 20 rpm	Force ID
3.3±0.5 Ncm	G

SPRING HINGE DAMPER
 1 way
PART NO.
43-007SHD