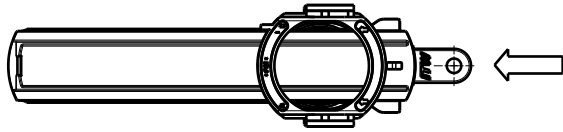


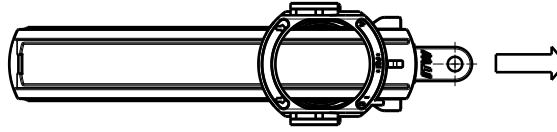
TECHNICAL DATA FOR REFERENCE ONLY!!

UNIT LINEARDAMPER 1 WAY  
 46-0072XX

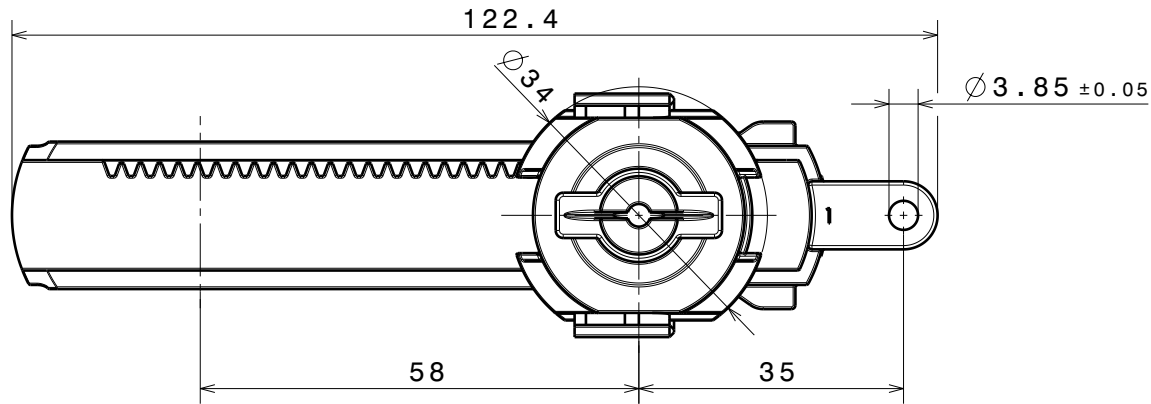
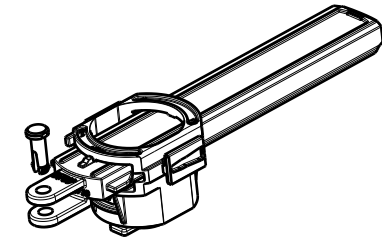


DIRECTION OF DAMPING

UNIT LINEARDAMPER 1 WAY  
 46-0072XX

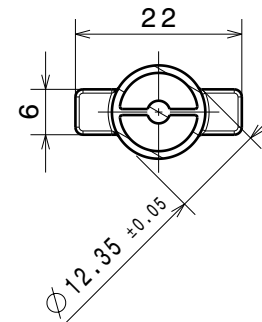
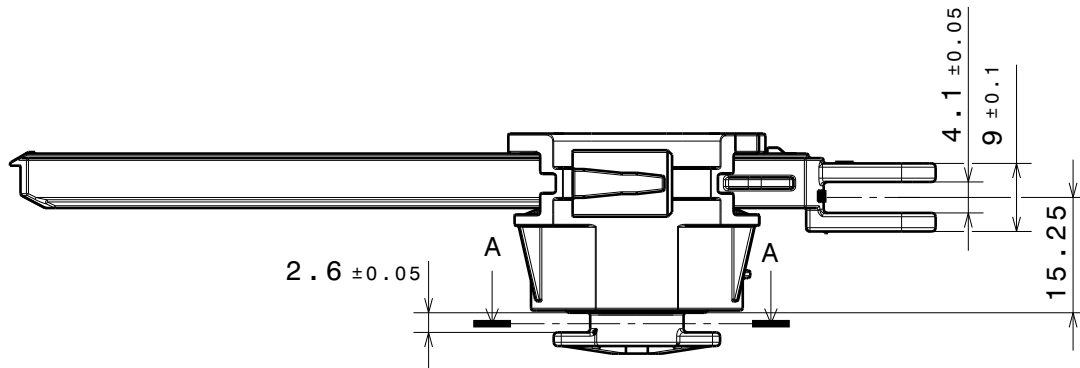
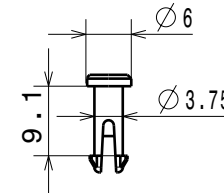


DIRECTION OF DAMPING



Note: Rack is available in different lengths upon request.

Force (N at 22.5mm/sec)	Force ID
28 ± 4.0	G
22 ± 4.0	W
17 ± 3.0	R
12 ± 2.5	A
6.5 ± 1.0	T



LINEAR DAMPER  
 1 way  
**46007FRL**  
 PART NO. 46-0072XX